



# TD-25R

CRAWLER DOZER



■ Net Horsepower  
246 kW (330 hp)

■ Blade Capacity  
up to 21 m<sup>3</sup> (27.5 yd<sup>3</sup>)

■ Operating Weight  
41,250 kg (90,940 lb)

# Specification

## ENGINE

- \* Make and Model ..... CUMMINS QSX15
- Type ..... diesel, in-line, 6-cylinder,
- ..... aftertreatment system - Cummins Particulate Filter (DPF)
- ..... + Selective Catalytic Reduction (SCR);
- ..... electronic controls (ECM)
- Aspiration ..... Turbocharged and Charge Air Cooler (CAC)
- Fuel system ..... High Pressure Injection (HPI)
- Gross Horsepower SAE J1995 ..... 280 kW (375 hp)
- \*\* Net Horsepower SAE J1349/ISO 9249 ..... 246 kW (330 hp)
- Rated rpm ..... 2000 rpm
- Max. torque @1200 rpm ..... 1993 Nm (1,470 lb-ft)
- Displacement ..... 15 l (912 in<sup>3</sup>)
- Bore and Stroke ..... 137 x 169 mm (5.39" x 6.65")
- Air cleaner ..... Cummins Filtration Direct Flow™, dry type,
- ..... precleaner, exhaust aspiration, electronic service indicator

\* Meets EU Stage IV and US EPA Tier 4 Final emission regulations on diesel engines used in off-road applications. The engine requires to use:

- Ultra Low Sulfur Diesel (ULSD)
- Diesel Exhaust Fluid (DEF) per ISO 22241

\*\* Net Horsepower at the minimum speed of hydraulic fan 277 kW (370 hp)

## TRANSMISSION & TORQUE CONVERTER

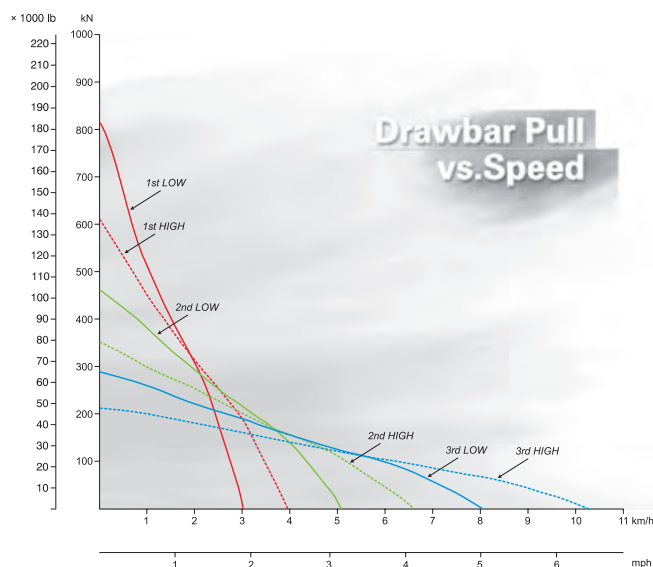
Modular, countershaft type power shift, electro-hydraulic control.

Preset travel speed selection and auto-downshift.

Single stage 415 mm (16") torque converter with a 2.45:1 stall ratio drives to transmission through a double universal joint.

## TRAVEL SPEEDS

Gear	Range	Forward		Reverse	
		km/h	(mph)	km/h	(mph)
1 st	Low	3.0	(1.9)	3.7	(2.3)
	High	4.0	(2.5)	4.8	(3.0)
2 nd	Low	5.1	(3.2)	6.1	(3.8)
	High	6.6	(4.1)	7.9	(4.9)
3 rd	Low	8.0	(5.0)	9.6	(6.0)
	High	10.3	(6.4)	12.2	(7.6)



## STEERING & BRAKING

Two-speed geared steering module provides gradual turns while maintaining full power to both tracks plus conventional clutch-brake performance for tight or pivot turns. This type of steering system offers superior traction in all types of operations and terrain.

Coupled to 3-speed transmission, the 2-speed steering provides 6 speeds forward and 6 reverse. The left hand joystick controls transmission and steering drive for up and down shifting, steering, Hi/Lo selection and LH/RH gradual geared turn.

Foot pedal applies both brakes for parking and downhill control. Brakes are spring applied and hydraulically released.

## FINAL DRIVES

Double-reduction with planetary final drive stage provides desired gear reduction at the sprocket. Eight-piece bolt-on sprocket distributes wear evenly over track bushings letting every tooth ride free one-half of the time to reduce wear. Sprocket segments are replaceable without removing track frames.

## TRACK FRAME

All-welded heavy box section track frame is kept in alignment with track frame guides providing true vertical oscillation.

- Track rollers, each side ..... 7
- Top idlers, each side ..... 2
- Front idlers (drum type) ..... 1
- All rollers and idlers ..... lifespan lubricated
- Oscillation at center of front idler ..... 400 mm (16")

## TRACKS

Lubricated Track System (LTS) virtually eliminates internal pin and bushing wear through use of a patented seal assembly.

The split master link reduces chain removal and installation time.

- Track shoe width, standard ..... 560 mm (22")
- Strutted track link pitch ..... 250 mm (9.86")
- Track shoes, each side ..... 39
- Ground contact area with std. shoes ..... 3.66 m<sup>2</sup> (5,673 in<sup>2</sup>)
- Ground pressure ..... 111 kPa (16.1 psi)
- Height of grouser ..... 76 mm (3")
- Track adjustment ..... full hydraulic
- Ground clearance ..... 576 mm (22.6")
- Fixed drawbar – height from ground to centerline of 95 mm (3.75") clevis ..... 613 mm (24")

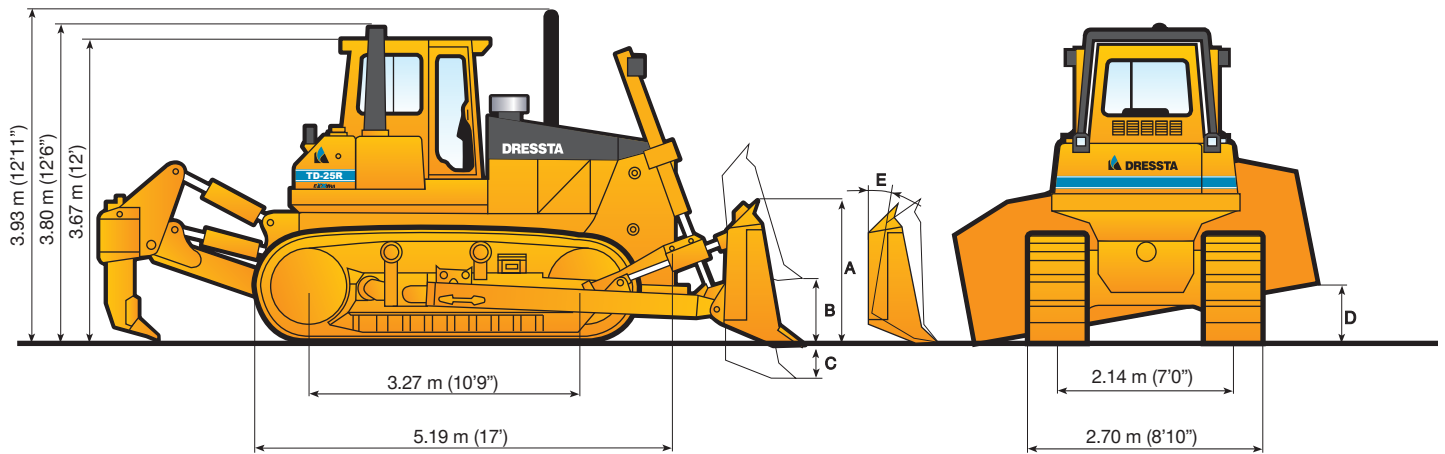
## REFILL CAPACITIES

	Liter	(US gal)
Fuel tank	770	(203)
Cooling system	67.5	(18)
Crankcase	49	(13)
Transmission system	240	(63)
Final drive, each side	64	(16.9)
Hydraulic reservoir	130	(34)
Diesel Exhaust Fluid (DEF) tank	38	(10)

## OPERATING WEIGHT

Includes std. equipment, Semi-U dozer w/tilt, single-shank ripper, coolant, lubricants,

and full fuel tank ..... 41250 kg (90,940 lb)



VERTICAL DIMENSIONS INCLUDE 76 mm (3") GROUSER HEIGHT

## OVERALL DIMENSIONS WITH EQUIPMENT

BLADE SELECTION	SEMI-U	FULL-U	ANGLE	COAL Blade
Length with blade and drawbar	6.88 m (22'7")	7.15 m (23'5")	6.89 m (22'7")	7.53 m (24'8")
Length with blade and multi-shank ripper	8.38 m (27'6")	8.65 m (28'5")	8.39 m (27'6")	9.03 m (29'8")
Length with blade and single shank ripper	8.94 m (29'4")	9.21 m (30'3")	8.95 m (29'4")	–
Width, blade angled	–	–	4.59 m (15'1")	–
Width over trunnions	3.21 m (10'6")	3.21 m (10'6")	3.21 m (10'6")	3.21 m (10'6")
Width over "C" frame	–	–	3.52 m (11'7")	–

## BLADE SPECIFICATIONS

BLADE SELECTION		SEMI-U	FULL-U	ANGLE	COAL Blade
Blade Capacity, SAE J1265		9.6 m <sup>3</sup> (12.5 yd <sup>3</sup> )	11.5 m <sup>3</sup> (15.0 yd <sup>3</sup> )	5.7 m <sup>3</sup> (7.4 yd <sup>3</sup> )	21 m <sup>3</sup> (27.5 yd <sup>3</sup> )
Max. Usable Track Shoe Width		711 mm (28")	711 mm (28")	711 mm (28")	711 mm (28")
Blade Dimensions:					
– width over end bits		4.05 m (13'3")	4.35 m (14'3")	4.95 m (16'3")	5.61 m (18'5")
– height, struts centered	A	1.76 m (5'9")	1.76 m (5'9")	1.26 m (4'1")	2.10 m (6'11")
Max. lift: – straight	B	1.27 m (4'2")	1.27 m (4'2")	1.37 m (4'6")	1.27 m (4'2")
– angled		–	–	1.54 m (5'1")	–
Max. drop below ground level	C	600 mm (23.6")	600 mm (23.6")	660 mm (26")	600 mm (23.6")
Max. tilt adjustment	D	880 mm (34.6")	945 mm (37.2")	435 mm (17.1")	1220 mm (48")
Blade angle, either side		–	–	25°	–
Max. pitch adjustment	E	10°	10°	–	10°
Weight of blade equipment		5 640 kg (12,434 lb)	6 280 kg (13,845 lb)	5 460 kg (12,037 lb)	7 720 kg (17,020 lb)

## RIPPER SPECIFICATIONS

RIPPER SELECTION	MULTI-SHANK	SINGLE-SHANK	
		Standard	Deep
Tool Beam			
Overall width	2 485 mm (98")	1 450 mm (57")	1 450 mm (57")
Cross section (height x width)	380 x 478 mm (15" x 18.8")	400 x 550 mm (15.7" x 21.7")	400 x 550 mm (15.7" x 21.7")
Ground clearance under tool beam:			
– ripper raised	1 544 mm (68")	1 565 mm (62")	1 565 mm (62")
– ripper lowered	171 mm (6.7")	154 mm (6.1")	154 mm (6.1")
Shanks			
Number of shanks per ripper, max.	3	1	1
Spacing center to center	1 067 mm (42")	–	–
Penetration, max.	760 mm (29.9")	1 250 mm (49.2")	1 700 mm (66.9")
Ground clearance, max. raised	868 mm (34.2")	770 mm (30.3")	760 mm (29.9")
Shank positions (vertical)	2	4	6
Weight			
Complete, including one shank	5 100 kg (11,270 lb)	5 280 kg (11,630 lb)	5 370 kg (11,840 lb)
Each additional shank	318 kg (700 lb)	–	–
Penetration Force	131.2 kN (29,494 lb)	132.5 kN (29,786 lb)	132.5 kN (29,786 lb)
Pryout Force	353.5 kN (79,467 lb)	377.7 kN (84,907 lb)	377.7 kN (84,907 lb)

# TD-25R

## CRAWLER DOZER



### HYDRAULIC CONTROL SYSTEM

Multiple vane pumps, driven from torque converter.

Output @ 2146 rpm:

1 st pump .....	170 l/min (45 gpm) @ 15.5 MPa (2,248 psi)
2 nd pump .....	102.2 l/min (27 gpm) @ 16.9 MPa (2,450 psi)
and pilot pump .....	33.3 l/min (8.8 gpm) @ 2.0 MPa (290 psi)

Relief valve setting

blade lift & ripper .....	17.2 MPa (2,500 psi)
tilt .....	18.4 MPa (2,670 psi)

Cylinders, bore and stroke:

blade lift .....	127 x 1460 mm (5.0" x 57.5")
tilt .....	200 x 130 mm (7.9" x 5.1")
tilt/pitch .....	185/200 x 130 mm (7.3"/7.9" x 5.1")

### STANDARD EQUIPMENT

- Air cleaner, Cummins Filtration Direct Flow, dry type, with exhaust aspirated primary, precleaner, and service indicator
- Air conditioner/heater/pressurizer/defroster underseat mounted; A/C condenser, behind roof mounted
- Alarm, back-up
- Alternator, 100A
- Antifreeze, -37°C (-34°F)
- Batteries, (4) 12 V, 1920 CCA, maintenance free, cold start
- Brakes, foot, spring applied, hydraulically released
- Coolant filter conditioner
- Cab with 2 post ROPS, sound suppression, air recirculation system, 2 F & 2 R lights, sun visor, 4 wipers w/washers, dome light, inside mirror (approved according to ROPS - SAE J1040 and FOPS - SAE J231)
- Cooling module, includes radiator, transmission oil cooler, fuel cooler, hydraulic oil/fan drive oil cooler, charge air cooler; isolation mounted
- Cylinders, lift, with quick drop valve
- Decelerator-right foot pedal and brake-center foot pedal
- Diagnostic centers for power train and equipment hydraulic pressures
- Drawbar, fixed
- Ecological drains for engine oil, radiator coolant and hydraulic oil
- Engine hood, solid, sloped
- Engine side doors, hinged, perforated type
- Exhaust, resonator with elbow
- Fan, hydraulically driven, suction type, variable speed
- Filters, engine oil, full flow and by-pass with replaceable "spin-on" elements
- Filters, power train & equipment hydraulics, "spin-on" micro glass type
- Final drive seal guard
- Fuel strainer
- Guards: crankcase with front pull hook, transmission, fan, radiator, sprocket rock and dirt deflector
- Horn, electric
- Hydraulic controls, 3-spool valve, 1 lever with pilot operated blade control (lift/tilt), ready for ripper
- Instruments:
  - Electronic Monitoring System, LCD display:
    - Normal and diagnostic operating modes for engine, drive train, electric system, houmeter, gear, range
    - Gauges: voltmeter (battery charge), electric system load, drive train oil temperature, fuel level, coolant temperature, tachometer (engine rpm)
    - Warning LEDs; engine ECM status, low engine oil pressure, coolant high temperature, air cleaner filter, low coolant level, drive train oil high temperature, drive train oil filters, hydraulic oil filters, transmission/clutch oil low pressure, machine lights
    - Audible alarm for low coolant level, low engine oil pressure
    - Warning LEDs - altertreatment system status
- Lights with guards, 2 F - lift cylinders mounted, 2 R - fuel tank mounted
- Muffler, under engine hood, insulated
- Portable lamp receptacle
- Radiator guard doors, louvered, two-piece, hinged
- Rear access platform
- Receptacle, charging
- Seat belt (SAE J386) - 3" wide, retractable
- Seat, deluxe, air suspension type, fabric cover, adjustable with arm rests, swivel 14° to right
- Starting, 24 V
- Steering, planetary type, 2 speed, left hand single lever control (joystick)
- Tools compartment
- Torque converter, single stage
- Track adjusters, hydraulic
- Track chain, sealed and lubricated (LTS) with split master link, 39 links
- Track chain guides, integral
- Track frame, 7 roller, 2140 mm (84") gauge, oscillating type, lifespan lubricated rollers and idlers
- Track shoes 560 mm (22"), grouser type
- Transmission, power shift, 3 speeds forward, 3 reverse, combined with 2 speed steering provides 6 speeds forward and 6 reverse; preset travel speed selection and auto-downshift
- Water separator, fuel system

### OPTIONAL ATTACHMENTS

- Air recirculation system with MSHA filters
- AM/FM CD radio
- Blade Equipment:
  - Semi-U, w/tilt or tilt / pitch, 9.6 cu.m (12.5 cu.yd)
  - Full-U, w/tilt or tilt / pitch, 11.5 cu.m (15 cu.yd)
  - Coal dozer, w/tilt or tilt / pitch, 21 cu.m (27.5 cu.yd)
  - Angle dozer, less tilt, 5.7 cu.m (7.4 cu.yd)
  - Hydraulic tilt for Angle dozer
- Canopy, ROPS / FOPS (SAE J1040, J231)
- Drawbar, fixed counterweight, 1860 kg (4,100 lbs)
- Drawbar, counterweight, 1860 kg (4,100 lbs) with additional counterweight (cast), 2004 kg (4,410 lbs)
- Ether start
- Engine enclosures: perforated hood and perforated side doors
- Guards:
  - Crankcase, severe service
  - Transmission, severe service
  - Final drive rock
  - Fuel tank and hydraulic reservoir
  - Track roller, full length
- Heater/pressurizer/defroster
- Inspection lamp, 24 V, portable with 6 m (20') cable
- Instrument panel guard (for use w/Canopy ROPS/FOPS)
- Lights, 2 F and 2 R (for use w/Canopy ROPS/FOPS)
- Lights, 2 F, ROPS mounted (for use with cab)
- Lights, 2 F, sweeps side mounted
- Mirrors, 2 pcs, exterior (for use w/cab)
- Operator platform covers (for use w/Canopy ROPS/FOPS)
- Ripper, multi-shank w/hydraulic pitch
  - Ripper shanks w/pin, max. 3
- Ripper, single-shank w/hydraulic pitch
  - Ripper shank, standard dig
  - Ripper shank, deep dig
  - Pin puller, hydraulic
- ROPS, for use with sweeps, without cab
- Screen, rear (for use with forestry sweeps) required for winch application
- Screening package; cab for screens installation must be ordered:
  - Screens for cab windows (front, rear, side and doors)
  - Screens for tractor and cab lights
- Seat, air suspension, vinyl cover (for use w/Canopy ROPS / FOPS)
- Sound suppression package
- Starting/charging receptacle plug assembly with 4.6 m (15') cable
- Sweeps, forestry, front and rear, with exhaust pipe extension and tank guard; 2 front sweeps mounted lights instead of 2 standard front lights (for use with Cab or open ROPS)
- Tools in metal box
- Track shoes:
  - 610 mm (24")
  - 660 mm (26") clipped corner
  - 711 mm (28") clipped corner
- Vandalism protection

Specifications subject to change without notice. Illustrations and pictures may include optional equipment and may not include all standard equipment.

# DRESSTA

[www.dressta.com](http://www.dressta.com)  
[info@dressta.com](mailto:info@dressta.com)